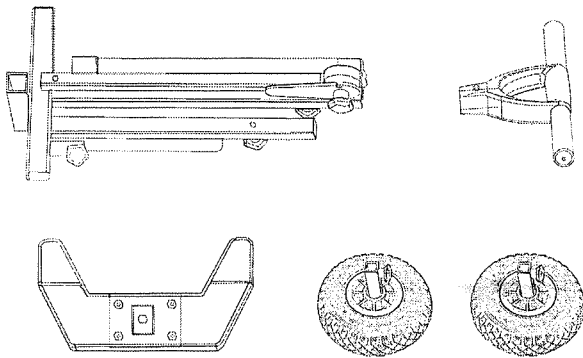


SUMAR

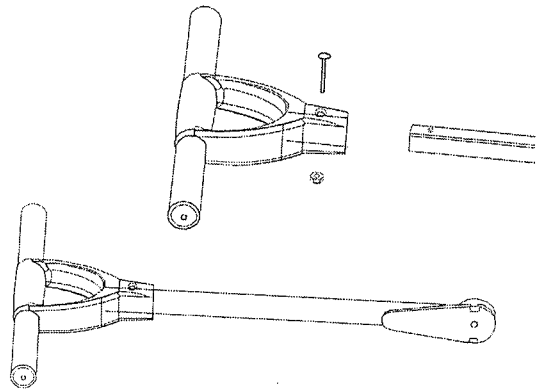
OUTBOARD TROLLEY REF.145111

MOUNTING INSTRUCTIONS MONTAGE INSTRUCTIE MONTAGEANLEITUNG

In the box, the following items are:
1. Frame 2. Handle 3. Support plate 4. Wheels

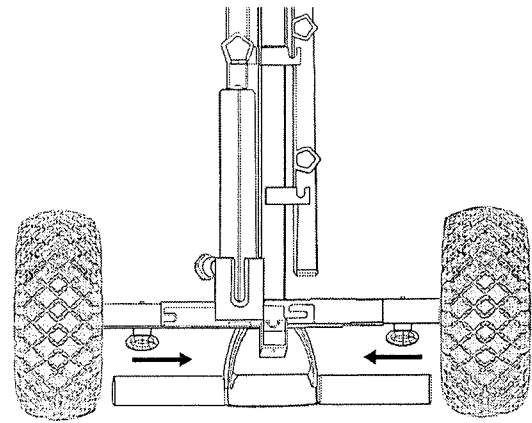
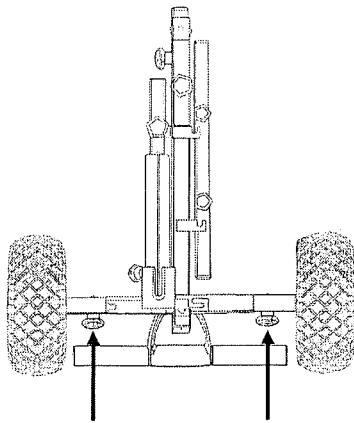


Action 1: Remove the bolt from the handle, place the handle on the shaft and tighten the bolt.



Action 2: Remove the knobs from the axis of the wheels

Place the axle with wheels in the frame.



Turn the knob, note that the wheel as far as possible on the outside of the frame is (at the end of the slot).

